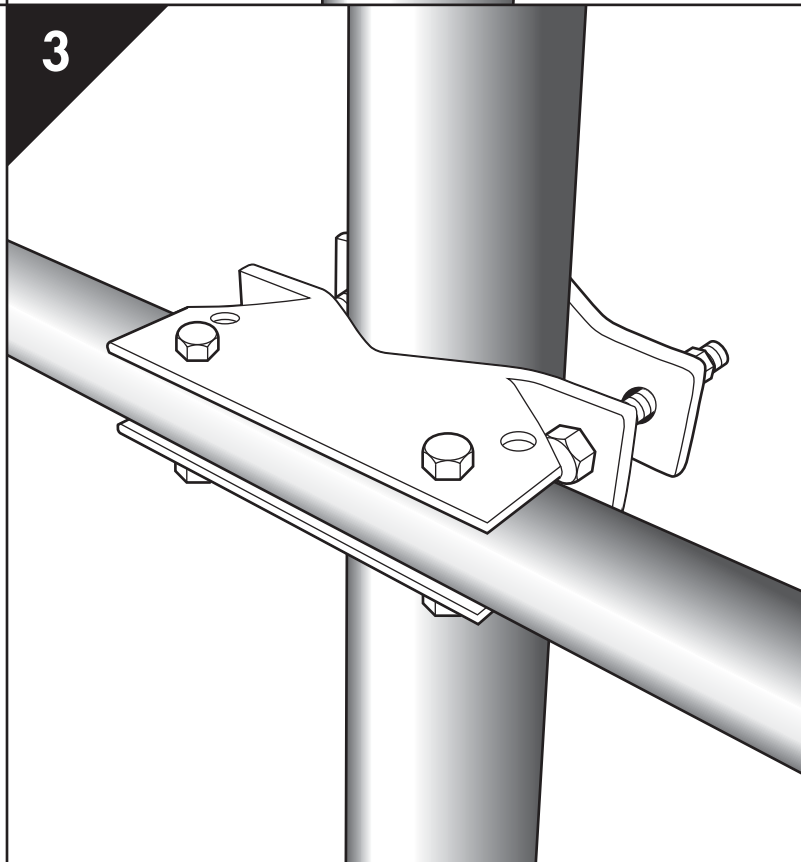
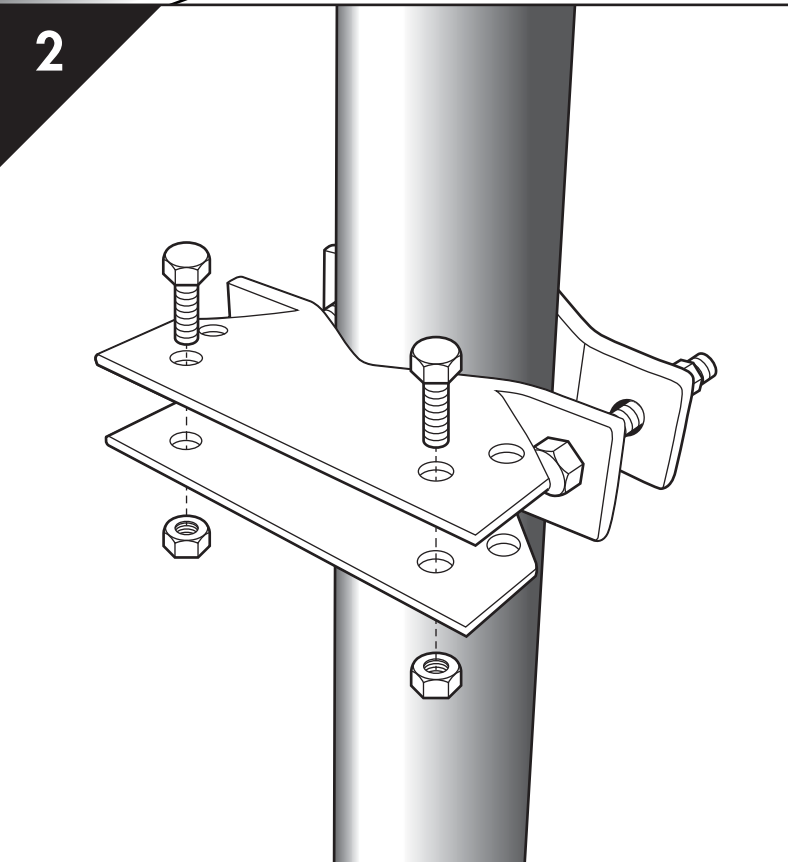
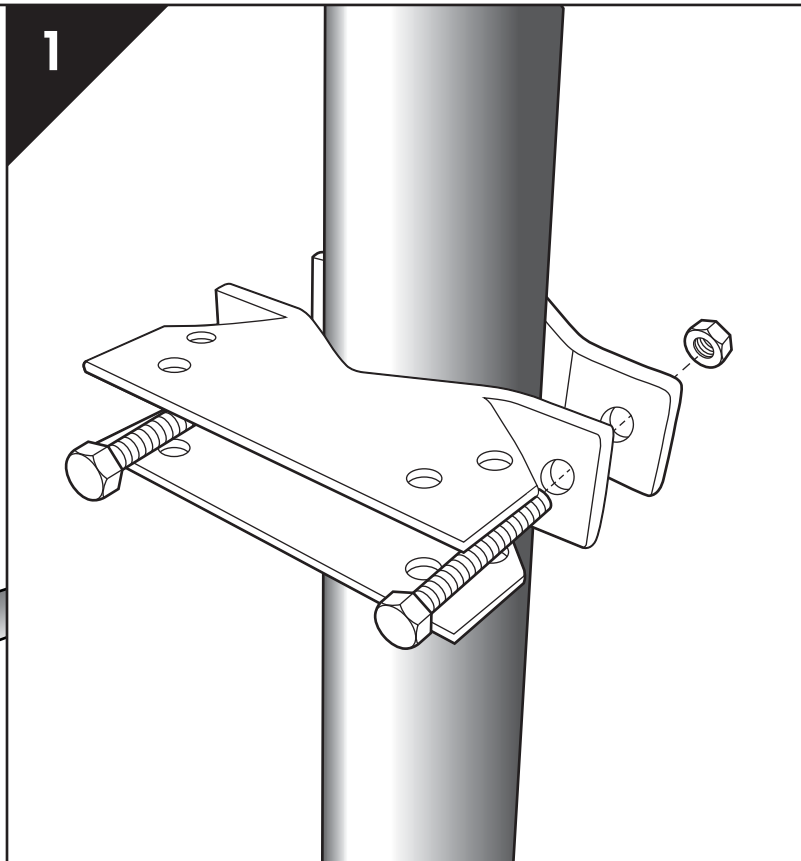
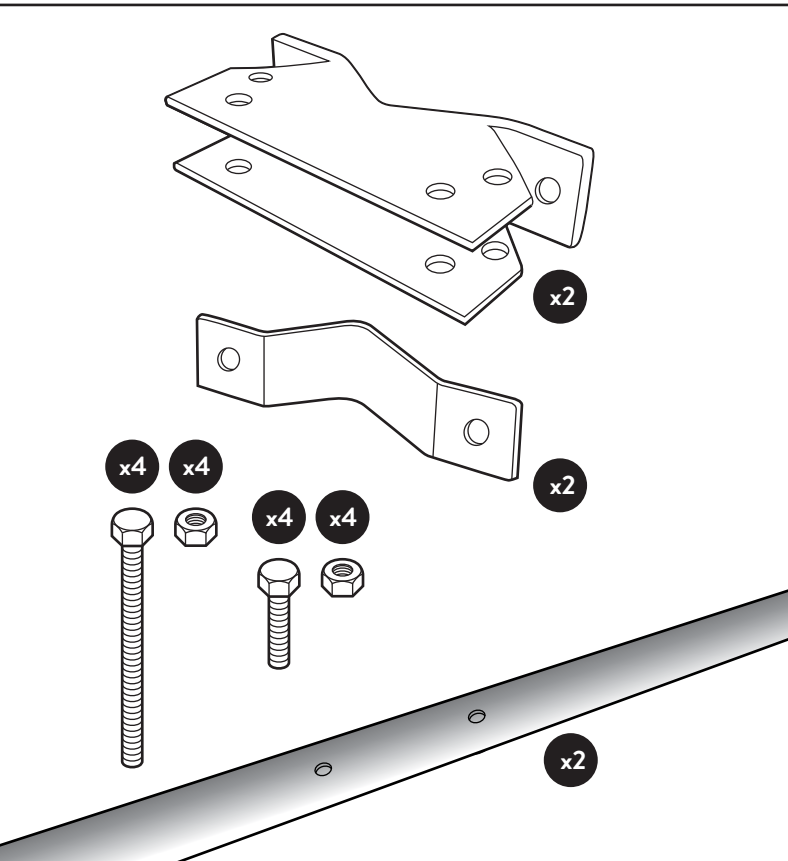


# BANNERHOLDER



**FORMENTA**

Box 525, 331 25 Värnamo, Sweden

+46 (0)370 - 692550

[www.formenta.se](http://www.formenta.se)